

Leveling Feet

Stainless Steel AISI 304, FDA compliant

SPECIFICATION

Type (Base plate)

- Type **C3**: Polished, rubber vulcanized, black

Versions of threaded studs

- Version **S**: Without nut, external hex at the bottom
- Version **SK**: With nut, external hex at the bottom
- Version **T**: Without nut, wrench flat at the bottom
- Version **TK**: With nut, wrench flat at the bottom
- Version **V**: Without nut, external hex at the top and wrench flat at the bottom
- Version **VK**: With nut, external hex at the top and wrench flat at the bottom
- Version **W**: With adjustable sleeve, covered thread and wrench flat at the bottom

Base plate

Stainless steel AISI 304

Threaded stud

Stainless steel AISI 303

Hex nut ISO 4032

Stainless steel AISI 304

Rubber pad

Acrylonitrile butadiene rubber (NBR)

- Black
- FDA-compliant
- Hardness 85±5 Shore A
- Vulcanized

INFORMATION

Leveling feet GN 17 are suitable for use in aggressive environments. The inclined surfaces for liquid runoff and the high surface quality of the base plate simplify cleaning and prevent the accumulation of dust or dirt. The FDA-compliant and vulcanized rubber underlay seals the base against the resting surface and allows the feet to be used in food-processing areas or the pharmaceutical industry, for example.

The leveling feet are supplied assembled and cannot be disassembled.

ON REQUEST

- Rubber pad available in various colors

TECHNICAL INFORMATION

- Plastic Characteristics (see page A2)
- Stainless Steel Characteristics (see page A26)

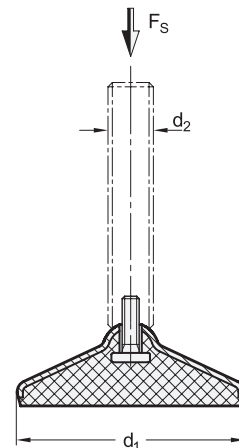


LOAD RATING OF LEVELING FEET

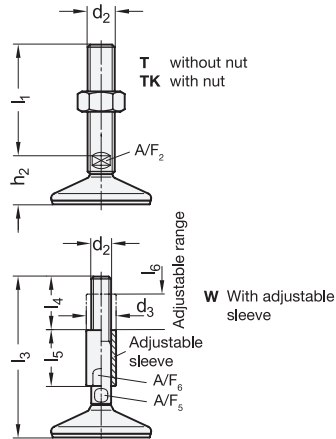
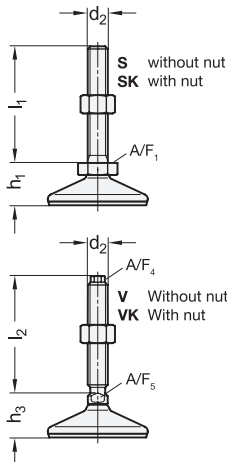
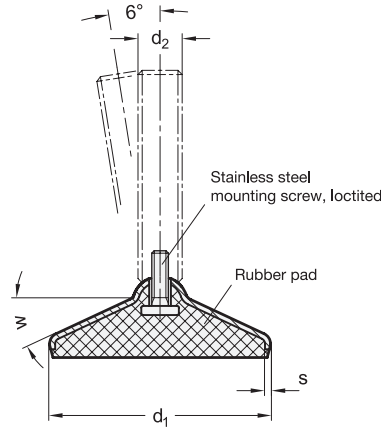
The static load bearing capacity given in the table rests on a test series in which the load has been applied perpendicular to the base plate (without rubber underlay). For the values given in the table, the strain relief may result in minor deformations of the base plate.

Bending and buckling stress which often occurs in practice results in a lower load bearing capacity of the adjustment spindle and may have to be taken into account.

Also, the spindle strength is assumed to be $\geq 500 \text{ N/mm}^2$. The details given on strength are non binding guide values without any liability. In general, they do not constitute a warranty of quality. The user must determine from case to case if a product is suitable for the intended purpose or use. Environmental factors may influence the stated values.

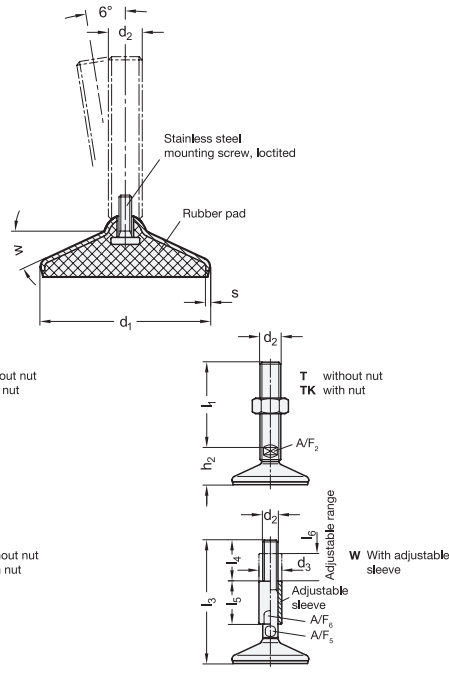


Versions of threaded studs	
<p>S / SK: External hex at the bottom at d_2 M 8, M 10, M 12</p>	<p>T / TK: Wrench flat at the bottom at d_2 M 16, M 20, M 24, M 30</p>
<p>V / VK: External hex at the top and wrench flat at the bottom at d_2 M 16, M 20, M 24</p>	<p>W: Covered thread and wrench flat at the bottom at d_2 M 16, M 20, M 24</p>





Leveling elements 11



* Complete with version of the Leveling feet (external hex at the bottom)

S Without nut
SK With nut

GN 17-S/SK

STAINLESS STEEL

Description	d ₁	d ₂	l ₁	h ₁	s	A/F ₁	w in °	Static Load F _s in kN	⚖
GN 17-60-M8-40-C3-*	60	M 8	40	31	2	17	32	8	120
GN 17-60-M8-50-C3-*	60	M 8	50	31	2	17	32	8	123
GN 17-60-M8-63-C3-*	60	M 8	63	31	2	17	32	8	128
GN 17-60-M10-50-C3-*	60	M 10	50	31	2	17	32	14	133
GN 17-60-M10-60-C3-*	60	M 10	60	31	2	17	32	14	137
GN 17-60-M10-80-C3-*	60	M 10	80	31	2	17	32	14	147
GN 17-60-M10-100-C3-*	60	M 10	100	31	2	17	32	14	158
GN 17-60-M12-60-C3-*	60	M 12	60	31	2	17	32	14	151
GN 17-60-M12-80-C3-*	60	M 12	80	31	2	17	32	14	165
GN 17-60-M12-100-C3-*	60	M 12	100	31	2	17	32	14	180
GN 17-60-M12-125-C3-*	60	M 12	125	31	2	17	32	14	197
GN 17-80-M8-40-C3-*	80	M 8	40	33	2	17	26	8	192
GN 17-80-M8-50-C3-*	80	M 8	50	33	2	17	26	8	195
GN 17-80-M8-63-C3-*	80	M 8	63	33	2	17	26	8	200
GN 17-80-M10-50-C3-*	80	M 10	50	33	2	17	26	14	206
GN 17-80-M10-60-C3-*	80	M 10	60	33	2	17	26	14	210
GN 17-80-M10-80-C3-*	80	M 10	80	33	2	17	26	14	220
GN 17-80-M10-100-C3-*	80	M 10	100	33	2	17	26	14	231
GN 17-80-M12-60-C3-*	80	M 12	60	33	2	17	26	14	224
GN 17-80-M12-80-C3-*	80	M 12	80	33	2	17	26	14	238
GN 17-80-M12-100-C3-*	80	M 12	100	33	2	17	26	14	253
GN 17-80-M12-125-C3-*	80	M 12	125	33	2	17	26	14	270
GN 17-100-M8-40-C3-*	100	M 8	40	35	2	17	22	8	287
GN 17-100-M8-50-C3-*	100	M 8	50	35	2	17	22	8	290
GN 17-100-M8-63-C3-*	100	M 8	63	35	2	17	22	8	295
GN 17-100-M10-50-C3-*	100	M 10	50	35	2	17	22	14	301
GN 17-100-M10-60-C3-*	100	M 10	60	35	2	17	22	14	305
GN 17-100-M10-80-C3-*	100	M 10	80	35	2	17	22	14	315
GN 17-100-M10-100-C3-*	100	M 10	100	35	2	17	22	14	326
GN 17-100-M12-60-C3-*	100	M 12	60	35	2	17	22	16	319
GN 17-100-M12-80-C3-*	100	M 12	80	35	2	17	22	16	333
GN 17-100-M12-100-C3-*	100	M 12	100	35	2	17	22	16	348
GN 17-100-M12-125-C3-*	100	M 12	125	35	2	17	22	16	365

Weight Version S

*Complete with version of the Leveling feet (wrench flat at the bottom)

T **TK**
Without nut With nut

GN 17-T/TK

STAINLESS STEEL

Description	d1	d2	l1	h2	s	A/F2	w in °	Static Load Fs in kN	⚖
GN 17-60-M16-75-C3-*	60	M 16	75	37	2	12	32	14	209
GN 17-60-M16-100-C3-*	60	M 16	100	37	2	12	32	14	242
GN 17-60-M16-125-C3-*	60	M 16	125	37	2	12	32	14	274
GN 17-60-M16-150-C3-*	60	M 16	150	37	2	12	32	14	306
GN 17-60-M16-200-C3-*	60	M 16	200	37	2	12	32	14	370
GN 17-60-M16-250-C3-*	60	M 16	250	37	2	12	32	14	434
GN 17-80-M16-75-C3-*	80	M 16	75	39	2	12	26	14	282
GN 17-80-M16-100-C3-*	80	M 16	100	39	2	12	26	14	315
GN 17-80-M16-125-C3-*	80	M 16	125	39	2	12	26	14	347
GN 17-80-M16-150-C3-*	80	M 16	150	39	2	12	26	14	379
GN 17-80-M16-200-C3-*	80	M 16	200	39	2	12	26	14	443
GN 17-80-M16-250-C3-*	80	M 16	250	39	2	12	26	14	507
GN 17-80-M20-75-C3-*	80	M 20	75	39	2	15	26	32	338
GN 17-80-M20-100-C3-*	80	M 20	100	39	2	15	26	32	397
GN 17-80-M20-125-C3-*	80	M 20	125	39	2	15	26	32	447
GN 17-80-M20-150-C3-*	80	M 20	150	39	2	15	26	32	498
GN 17-80-M20-200-C3-*	80	M 20	200	39	2	15	26	32	598
GN 17-80-M20-250-C3-*	80	M 20	250	39	2	15	26	32	698
GN 17-80-M24-100-C3-*	80	M 24	100	41	2	19	26	36	505
GN 17-80-M24-125-C3-*	80	M 24	125	41	2	19	26	36	585
GN 17-80-M24-150-C3-*	80	M 24	150	41	2	19	26	36	651
GN 17-80-M24-200-C3-*	80	M 24	200	41	2	19	26	36	797
GN 17-80-M24-300-C3-*	80	M 24	300	41	2	19	26	36	1347
GN 17-100-M16-75-C3-*	100	M 16	75	41	2	12	22	24	377
GN 17-100-M16-100-C3-*	100	M 16	100	41	2	12	22	24	410
GN 17-100-M16-125-C3-*	100	M 16	125	41	2	12	22	24	442
GN 17-100-M16-150-C3-*	100	M 16	150	41	2	12	22	24	474
GN 17-100-M16-200-C3-*	100	M 16	200	41	2	12	22	24	538
GN 17-100-M16-250-C3-*	100	M 16	250	41	2	12	22	24	602
GN 17-100-M20-75-C3-*	100	M 20	75	41	2	15	22	26	433
GN 17-100-M20-100-C3-*	100	M 20	100	41	2	15	22	26	492
GN 17-100-M20-125-C3-*	100	M 20	125	41	2	15	22	26	542
GN 17-100-M20-150-C3-*	100	M 20	150	41	2	15	22	26	593
GN 17-100-M20-200-C3-*	100	M 20	200	41	2	15	22	26	693
GN 17-100-M20-250-C3-*	100	M 20	250	41	2	15	22	26	793
GN 17-100-M24-100-C3-*	100	M 24	100	43	2	19	22	28	600
GN 17-100-M24-125-C3-*	100	M 24	125	43	2	19	22	28	680
GN 17-100-M24-150-C3-*	100	M 24	150	43	2	19	22	28	746
GN 17-100-M24-200-C3-*	100	M 24	200	43	2	19	22	28	892
GN 17-100-M24-300-C3-*	100	M 24	300	43	2	19	22	28	1442
GN 17-120-M20-75-C3-*	120	M 20	75	43	2	15	20	26	554
GN 17-120-M20-100-C3-*	120	M 20	100	43	2	15	20	26	613
GN 17-120-M20-125-C3-*	120	M 20	125	43	2	15	20	26	663
GN 17-120-M20-150-C3-*	120	M 20	150	43	2	15	20	26	714
GN 17-120-M20-200-C3-*	120	M 20	200	43	2	15	20	26	814
GN 17-120-M20-250-C3-*	120	M 20	250	43	2	15	20	26	914
GN 17-120-M24-100-C3-*	120	M 24	100	46	2	19	20	26	721
GN 17-120-M24-125-C3-*	120	M 24	125	46	2	19	20	26	801
GN 17-120-M24-150-C3-*	120	M 24	150	46	2	19	20	26	867
GN 17-120-M24-200-C3-*	120	M 24	200	46	2	19	20	26	1013
GN 17-120-M24-300-C3-*	120	M 24	300	46	2	19	20	26	1563
GN 17-120-M30-100-C3-*	120	M 30	100	50	2	24	20	26	964
GN 17-120-M30-125-C3-*	120	M 30	125	50	2	24	20	26	1060
GN 17-120-M30-150-C3-*	120	M 30	150	50	2	24	20	26	1178
GN 17-120-M30-200-C3-*	120	M 30	200	50	2	24	20	26	1415
GN 17-120-M30-300-C3-*	120	M 30	300	50	2	24	20	26	1926

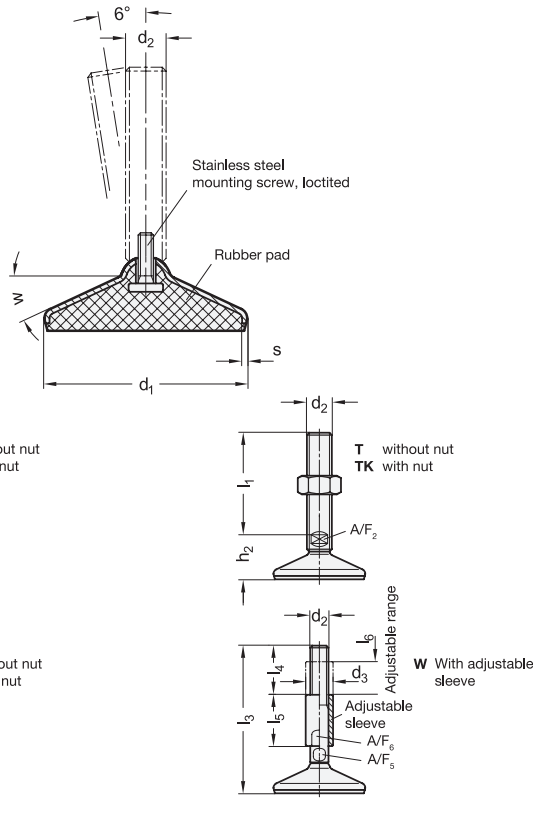
Weight Version T



Leveling elements 11



Leveling elements 11



* Complete with version of the Leveling feet (external hex at the top / wrench flat at the bottom)

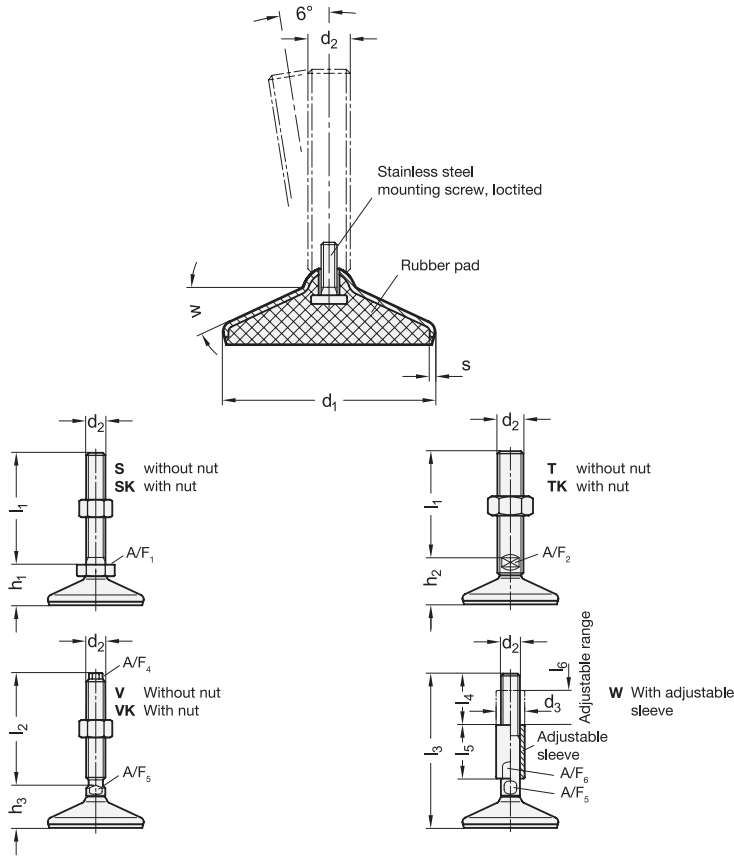
V Without nut VK With nut

GN 17-V/VK

STAINLESS STEEL

Description	d1	d2	l2	h3	s	A/F4	A/F5	w in °	Static Load Fs in kN	⚖️
GN 17-60-M16-75-C3-*	60	M 16	75	33	2	10	12	32	14	200
GN 17-60-M16-100-C3-*	60	M 16	100	33	2	10	12	32	14	234
GN 17-60-M16-125-C3-*	60	M 16	125	33	2	10	12	32	14	266
GN 17-60-M16-150-C3-*	60	M 16	150	33	2	10	12	32	14	299
GN 17-80-M16-75-C3-*	80	M 16	75	35	2	10	12	26	14	273
GN 17-80-M16-100-C3-*	80	M 16	100	35	2	10	12	26	14	307
GN 17-80-M16-125-C3-*	80	M 16	125	35	2	10	12	26	14	339
GN 17-80-M16-150-C3-*	80	M 16	150	35	2	10	12	26	14	372
GN 17-80-M20-100-C3-*	80	M 20	100	36	2	13	16	26	32	388
GN 17-80-M20-125-C3-*	80	M 20	125	36	2	13	16	26	32	439
GN 17-80-M20-150-C3-*	80	M 20	150	36	2	13	16	26	32	491
GN 17-80-M20-200-C3-*	80	M 20	200	36	2	13	16	26	32	596
GN 17-80-M24-100-C3-*	80	M 24	100	38	2	17	20	26	36	491
GN 17-80-M24-150-C3-*	80	M 24	150	38	2	17	20	26	36	639
GN 17-80-M24-200-C3-*	80	M 24	200	38	2	17	20	26	36	785
GN 17-100-M16-75-C3-*	100	M 16	75	37	2	10	12	22	24	368
GN 17-100-M16-100-C3-*	100	M 16	100	37	2	10	12	22	24	402
GN 17-100-M16-125-C3-*	100	M 16	125	37	2	10	12	22	24	434
GN 17-100-M16-150-C3-*	100	M 16	150	37	2	10	12	22	24	467
GN 17-100-M20-100-C3-*	100	M 20	100	38	2	13	16	22	26	483
GN 17-100-M20-125-C3-*	100	M 20	125	38	2	13	16	22	26	534
GN 17-100-M20-150-C3-*	100	M 20	150	38	2	13	16	22	26	586
GN 17-100-M20-200-C3-*	100	M 20	200	38	2	13	16	22	26	691
GN 17-100-M24-100-C3-*	100	M 24	100	40	2	17	20	22	28	586
GN 17-100-M24-150-C3-*	100	M 24	150	40	2	17	20	22	28	734
GN 17-100-M24-200-C3-*	100	M 24	200	40	2	17	20	22	28	880

Weight Version V



GN 17-W

STAINLESS STEEL

Description	d ₁	d ₂	l ₃	d ₃	l ₄	l ₅	l ₆	s	A/F ₅	A/F ₆	w in °	Static Load F _s in kN	⚖
GN 17-60-M16-129-C3-W	60	M 16	129	24	45	45	29	2	12	20	32	14	327
GN 17-60-M16-154-C3-W	60	M 16	154	24	45	45	29	2	12	20	32	14	364
GN 17-60-M16-179-C3-W	60	M 16	179	24	45	45	29	2	12	20	32	14	405
GN 17-60-M16-204-C3-W	60	M 16	204	24	45	45	29	2	12	20	32	14	445
GN 17-80-M16-131-C3-W	80	M 16	131	24	45	45	29	2	12	20	26	14	400
GN 17-80-M16-156-C3-W	80	M 16	156	24	45	45	29	2	12	20	26	14	437
GN 17-80-M16-181-C3-W	80	M 16	181	24	45	45	29	2	12	20	26	14	478
GN 17-80-M16-206-C3-W	80	M 16	206	24	45	45	29	2	12	20	26	14	518
GN 17-80-M20-155-C3-W	80	M 20	155	30	56	56	36	2	16	24	26	32	618
GN 17-80-M20-180-C3-W	80	M 20	180	30	56	56	36	2	16	24	26	32	681
GN 17-80-M20-205-C3-W	80	M 20	205	30	56	56	36	2	16	24	26	32	744
GN 17-80-M20-255-C3-W	80	M 20	255	30	56	56	36	2	16	24	26	32	868
GN 17-80-M24-179-C3-W	80	M 24	179	35	67	67	42	2	20	30	26	36	920
GN 17-80-M24-229-C3-W	80	M 24	229	35	67	67	42	2	20	30	26	36	1098
GN 17-80-M24-279-C3-W	80	M 24	279	35	67	67	42	2	20	30	26	36	1227
GN 17-100-M16-133-C3-W	100	M 16	133	24	45	45	29	2	12	20	22	24	495
GN 17-100-M16-158-C3-W	100	M 16	158	24	45	45	29	2	12	20	22	24	532
GN 17-100-M16-183-C3-W	100	M 16	183	24	45	45	29	2	12	20	22	24	573
GN 17-100-M16-208-C3-W	100	M 16	208	24	45	45	29	2	12	20	22	24	613
GN 17-100-M20-157-C3-W	100	M 20	157	30	56	56	36	2	16	24	22	26	713
GN 17-100-M20-182-C3-W	100	M 20	182	30	56	56	36	2	16	24	22	26	776
GN 17-100-M20-207-C3-W	100	M 20	207	30	56	56	36	2	16	24	22	26	839
GN 17-100-M20-257-C3-W	100	M 20	257	30	56	56	36	2	16	24	22	26	963
GN 17-100-M24-181-C3-W	100	M 24	181	35	67	67	42	2	20	30	22	28	1015
GN 17-100-M24-231-C3-W	100	M 24	231	35	67	67	42	2	20	30	22	28	1193
GN 17-100-M24-281-C3-W	100	M 24	281	35	67	67	42	2	20	30	22	28	1372

